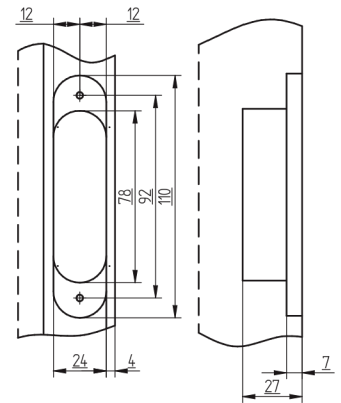
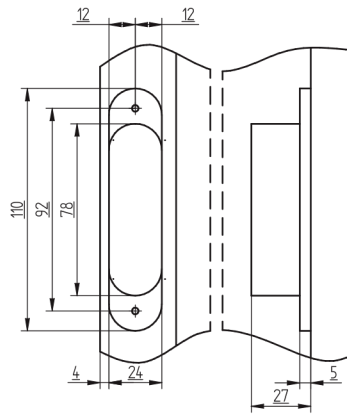


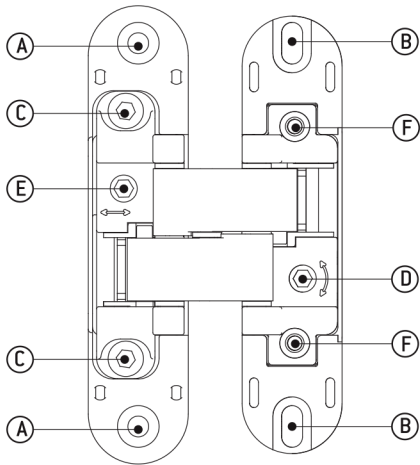
MILLING

Frame

Door



Adjustment Instructions



A

Fixing hole for the hinge to the frame.

B

Oval holes for vertical adjustment and fixing to the door.

C

Fixing screw of depth adjustment.

D

Self-locking screw for lateral adjustment.

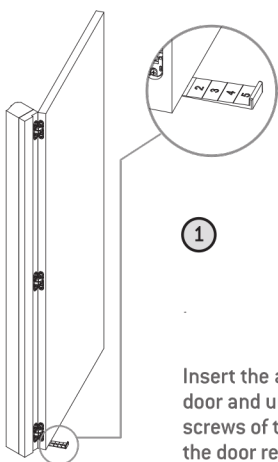
E

Excentric system for depth adjustment.

F

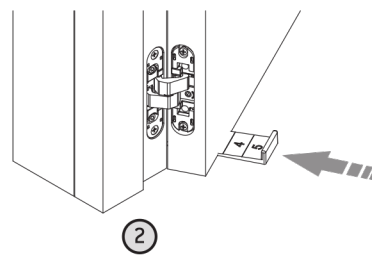
Optional D.3,5 mm screw for vertical fixing of the door.

Height Adjustment



1

Insert the adjustment wedge under the door and unscrew one turn the fixing screws of the hinge on the door; the door rests on the wedge.



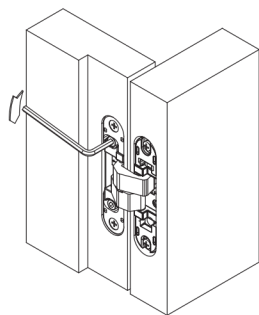
2

Slide the wedge under the door until achieve the desired measure from the ground; re-lock the screws.

Optional

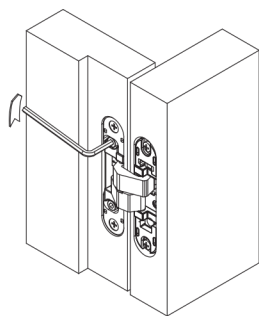
Screw in the optional screw D. 3.5 mm for vertical fixing up to the stopper and pull the adjustment wedge.

Depth Adjustment



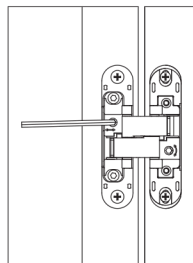
1

Unscrew the C screws one turn.



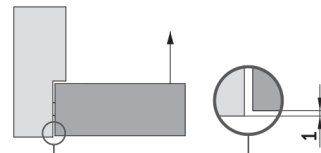
3

Fix the two C screws.



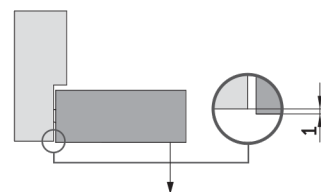
2

Acting on the eccentric E clockwise the door moves to - 1 mm.



2

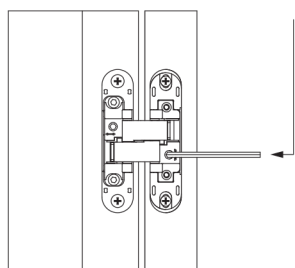
Acting on the eccentric E counterclockwise the door moves to + 1 mm.



Side Adjustment

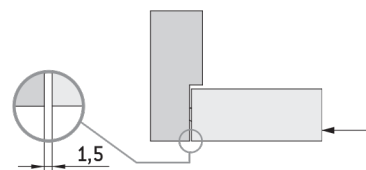
1

Act on D screw.



2

Acting on the D screw clockwise the door moves to - 1,5 mm.



2

Acting on the D screw counterclockwise the door moves to + 1,5 mm.

