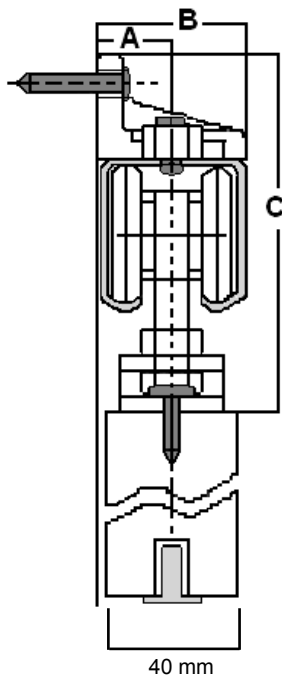


**BALL-TIK® Fixing and building measures for series 0**

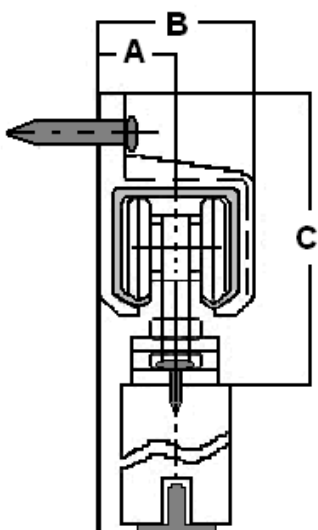
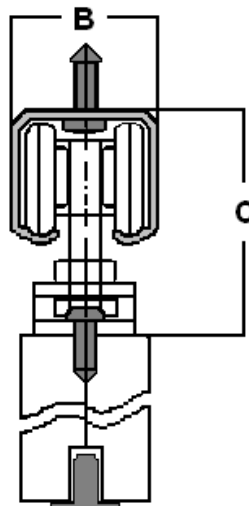


Fixing on wall, adjustable

	A mm	B mm	C mm
Series 0	18 - 28	36 - 46	82 - 96

Fixing on ceiling

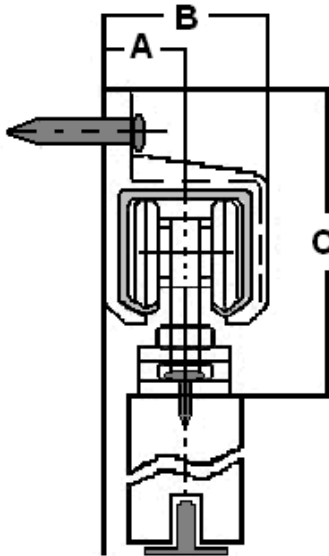
	B mm	C mm
Series 0	36	56 - 70



Fixing on wall

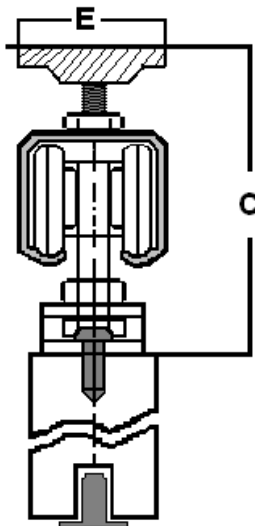
	A mm	B mm	C mm
Series 0	18 - 28	36 - 46	82 - 96

**BALL-TIK® Fixing and building measures for series 1 and 2**



Fixing on wall

	A mm	B mm	C mm
Series 1	29	58	140 - 170
Series 2	36	80	190 - 210



Fixing on ceiling

	E mm	C mm
Series 1	65	140 - 170
Series 2	85	190 - 210